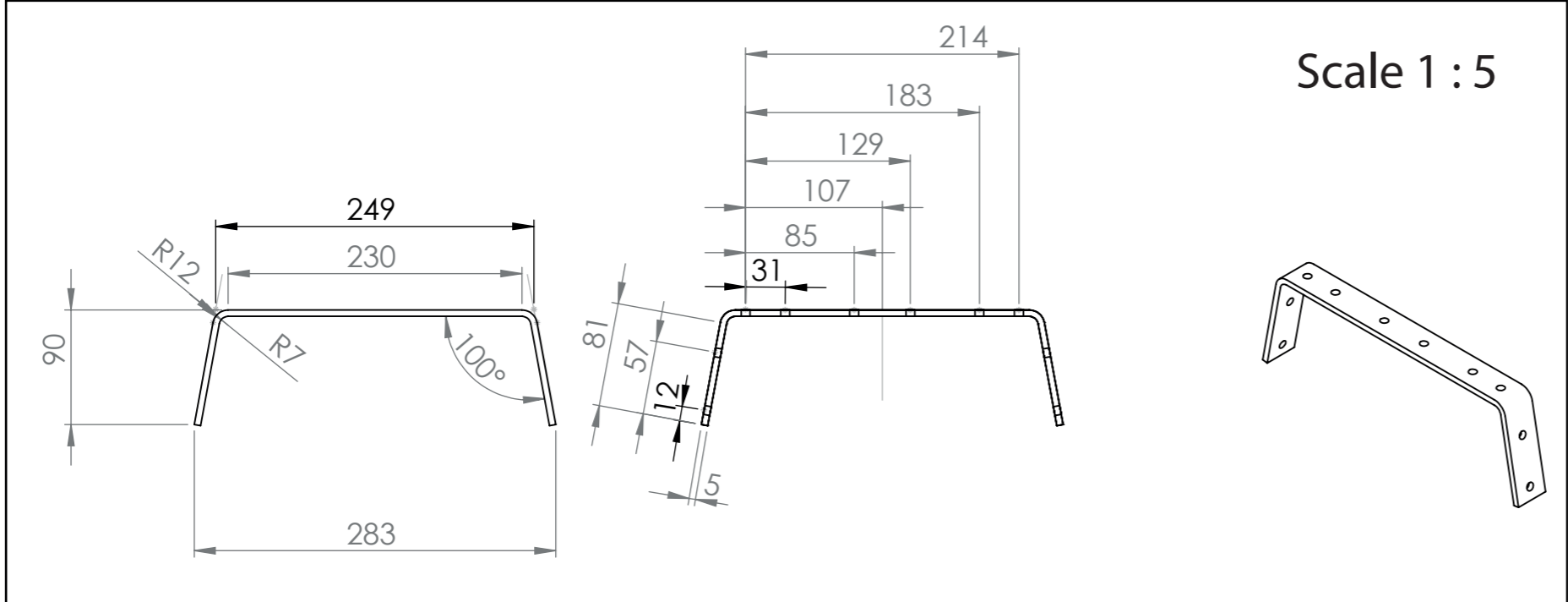
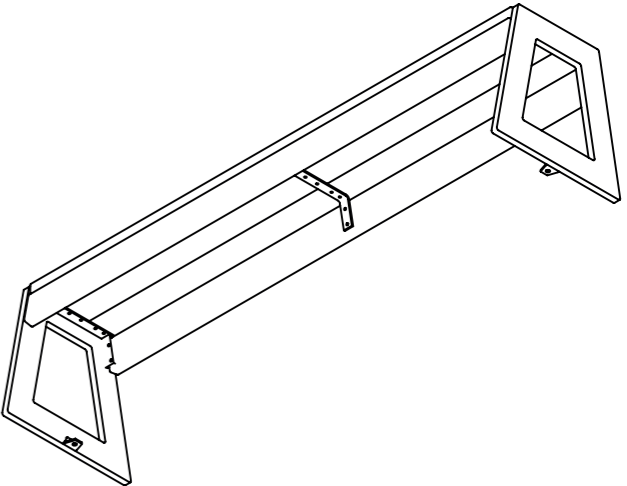
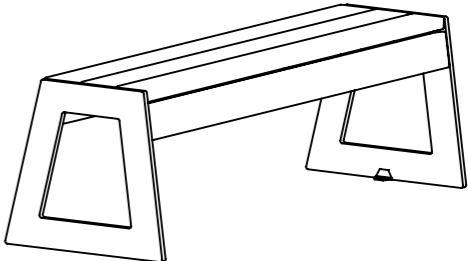
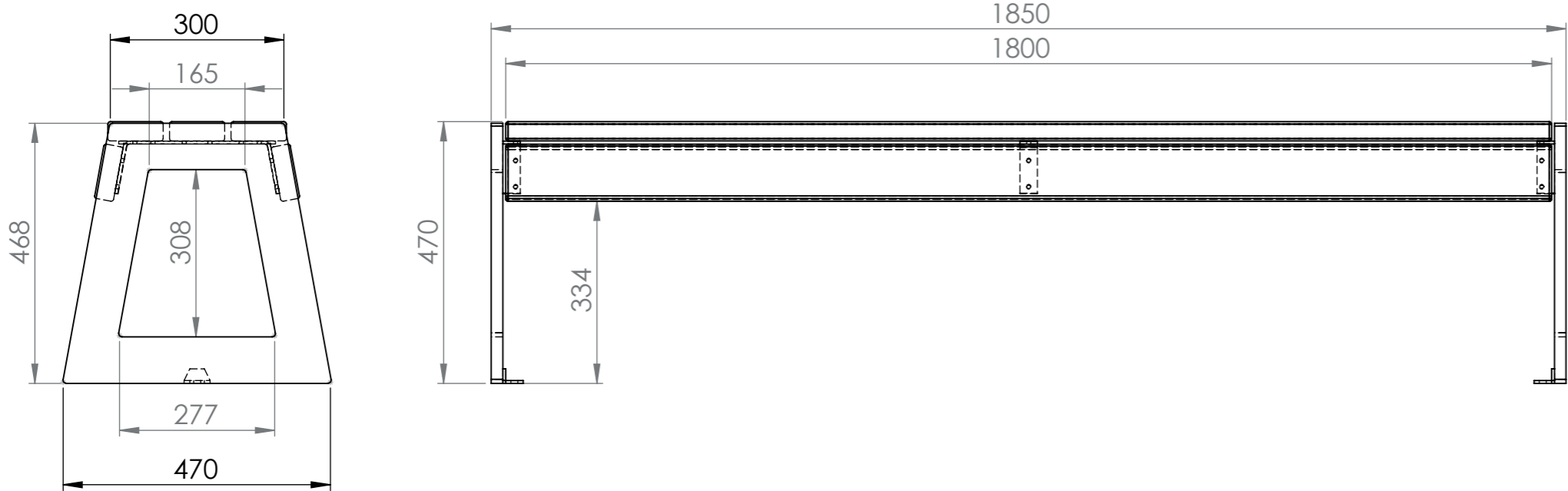
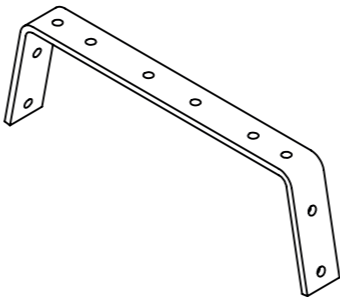


TERGO ADA bench 2015

Messurements and Center brace



Scale 1 : 5



A3 Scale 1 : 10 (and 1 : 5)
 Steel profile height: 80 mm
 Steel profile thickness: 20 mm
 R6 on every corner.